

UP-N-OUT

ULTIMATE MARINE LADDERS By Scandia Marine Products

COLD WATER KILLS! SAVE LIVES WITH DOCK SAFETY LADDERS

Installing Marina Safety Ladders Can Help Save Your Customer's Life. Whether you have fixed or floating docks, it's virtually impossible for an accidental swimmer to climb out of the water without help. Up-n-Out Marina Safety Ladders were invented to help almost anyone climb out of the water quickly and unassisted. If there is a possibility of people falling into the water off your docks, you should install an Up-n-Out Safety Ladder before it's too late.

- Quickly Self-Deployed by Victim
- Stores Retracted Out of the Water
- Extends Rigid at Least 24" into Water
- Easily Visible Instructions
- Mounts in 5 Minutes
- For Docks 12" to 64" Above Water
- Electropolished 304 Stainless



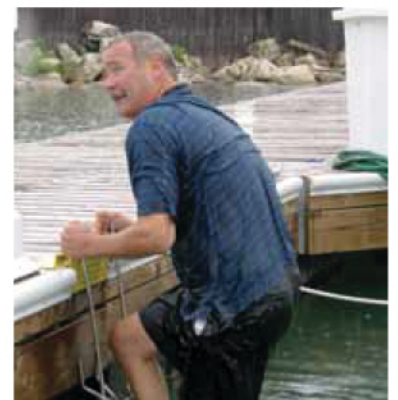
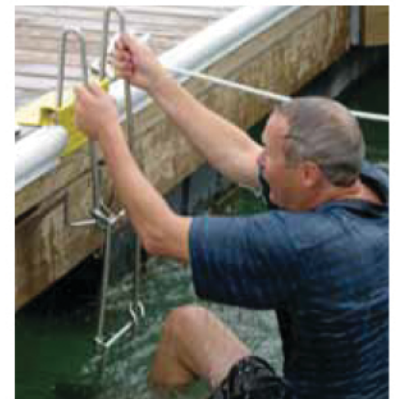
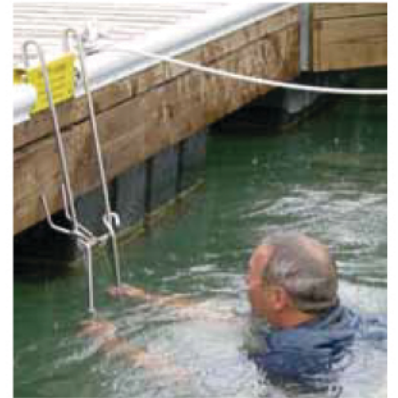
SW 1224 - 12 Inch Wide
Universal Direct Mount



SL 1224 - 9 Inch Wide
Plate Mount



100% American Made



SCANDIA
MARINE PRODUCTS

www.scandiamarineproducts.com

or call: (651) 433-5058

AVAILABLE MODELS

UP-N-OUT

MARINA SAFETY LADDER

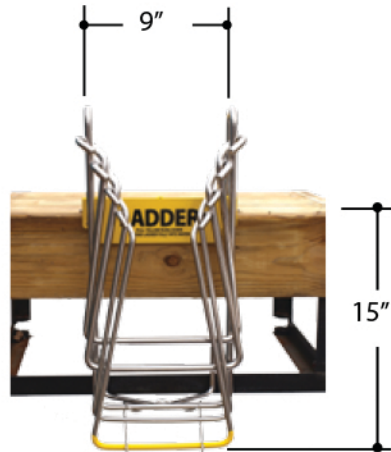
SW 1224 - Direct Mount
Low Floating Dock



SW 2056
Sea Walls



SL 1640 - Plate Mount
High Floating Dock



SL 2852 Plate Mount
Pier Dock

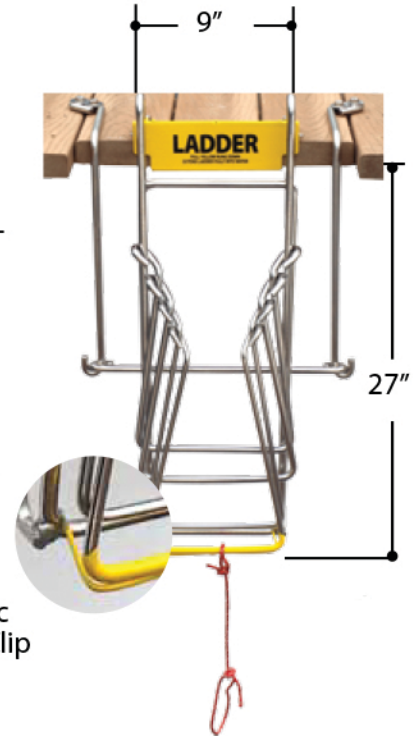


Plate Mounted - 9" Wide Models

MODEL	Application	Steps	Dock Ht.	Extended	Retracted	Sidebearing
SL1224	Low float dock	4	12" - 24"	48"	11"	6" - 9"
SL1628	Med. float dock	4	16" - 28"	52"	15"	10" - 13"
SL1640	High float dock	5	16" - 40"	64"	15"	10" - 13"
SL2852	Pier dock	6	28" - 52"	76"	27"	top mount
SL2864	Pier dock	7	28" - 64"	88"	27"	top mount

Direct Mount - 12" Wide Models

MODEL	Application	Steps	Dock Ht.	Extended	Retracted	Sidebearing
SW1224	Low float dock	4	12" - 24"	48"	11"	6" - 14"
SW1336	Med. float dock	5	13" - 36"	60"	12"	6" - 14"
SW1448	High float dock	6	14" - 48"	72"	13"	6" - 14"
SW2056	Sea Walls	6	20" - 56"	80"	20"	20"



www.scandiamarineproducts.com

or call: (651) 433-5058